

All rights reserved by **CNHi**.

The information contained in this catalogue is intended to be of a general nature only. **CNHi** may at any time and from time to time, for technical or other necessary reasons, modify any of the details or specifications of the product described in this catalogue.

To be sure of getting accurate, detailed and up-to-date information, an intending buyer should consult his nearest **CNHi** dealer or distributor.

Single item numeration method used in this catalogue may not be used without written consent from **CNHi**.

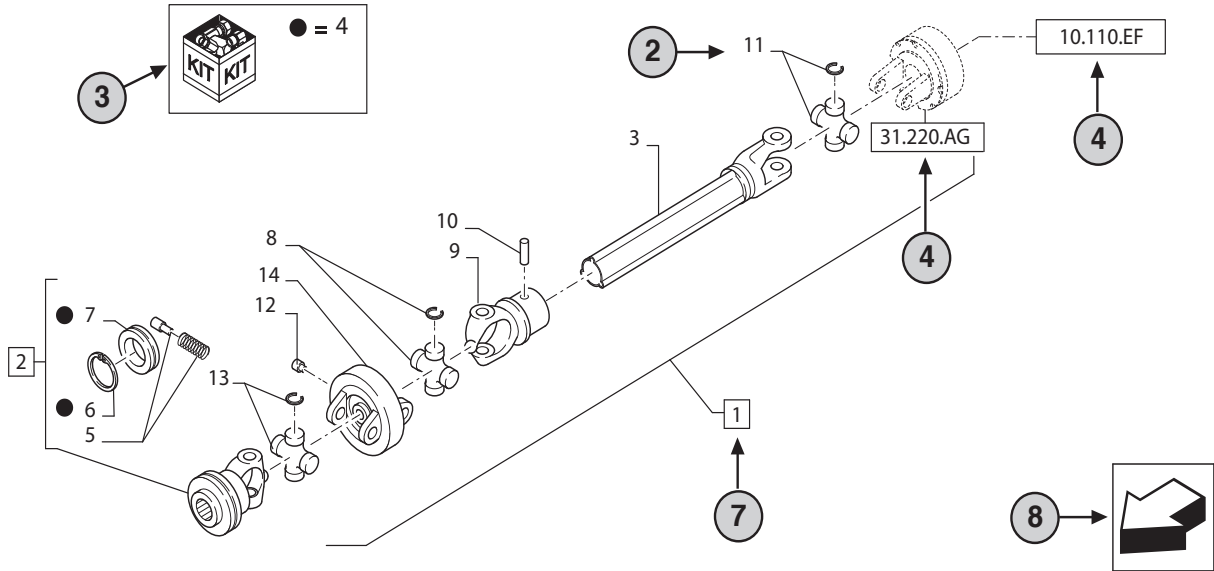
31.220.AD

01

p1

10/2014

VAR - 123782, 789101,987654 - PTO - D650



STANDARD ← 6

23

9

10

31.220.AD

01

p1

10/2014

VAR - 123782, 789101,987654 - PTO - D650

11

12

13

14

| REF | FN | PART NUMBER | YR/SN | QTY | DESCRIPTION |
|-----|----|------------------------|-------|-----|--|
| 1 | 1 | 86529340 | 20 | 1 | SHAFT PTO, Incl 2 - 11 |
| 2 | 15 | 84014007 | | 1 | YOKE, Incl 4 -7 ← 7 |
| 3 | 16 | NSS | | 1 | NOT SERVICED SEPARATELY, SHAFT, 350mm, Incl in 1 |
| 4 | | 84004292 | | 1 | KIT, Seal Kit, Incl 6, 7 ← 17 |
| 4 | | {84058743} | | 1 | KIT, Seal Kit, Incl 6, 7 |
| 2 | 18 | | 21 | | |
| | 19 | | 22 | | |
| | | 1 = FOR ITALY ONLY ← 5 | | | |

MODELS ← 1


- 1 Model Number and Model Description
- 2 Reference - Figure call-out of the part number.
- 3 Parts supplied in repair kits per symbol reference.
- 4 31.220.AD Part illustrated on the **Page** or in the **Figure** indicated, or calls for **Variations** or **Details**. Indicates components shown in detail elsewhere in the catalogue under the figure number shown.
- 5 Footnote references
- 6 Figure notes
- 7 1 2 Includes item(s) (See Description within partlist).
- 8 Orientation. (Arrow indicates front of the machine). 
- 9 Figure description.
- 10 General information of the figure.
- 11 Figure title number that aligns with the SRT. Standard Repair Time.
- 12 **Sequence** code within the assembly.
- 13 Page number within the sequence code.
- 14 **Date** of printing or updating of page (month-year).
- 15 **Note** - Relating to the Part Number. There is a key to symbols and abbreviations at the bottom of the text page.
- 16 Non-serviced parts.
- 17 Further description of the part to help confirm identification.
- 18 Not available as service part.
- 19 Part Number.
- 20 To be defined.
- 21 Total **Quantity** of the Part referred to in the page.
The quantity can be replaced by the following indications:
AR = quantity as requested.
- 22 Part **Description**.
- 23 Variant Codes

TABLE OF CONTENTS

| | | |
|-----------|----|--|
| 0.0040 | | OPTIONAL EQUIPMENT |
| 0.0040/01 | | OPTIONAL EQUIPMENT |
| 0.0040/02 | | OPTIONAL EQUIPMENT |
| 0.0040/03 | | OPTIONAL EQUIPMENT |
| 0.0042 | | SERVICE PARTS CATALOGUE AND BINDER |
| 0.01.1 | | INITIAL STOCKING LIST (ISL) |
| 0.05.4 | 01 | MAINTENANCE PARTS - FILTERS |
| 0.05.4 | 02 | MAINTENANCE PARTS - STARTER MOTOR, ALTERNATOR, BELTS |
| 0.05.4 | 03 | MAINTENANCE PARTS - FUSES |
| 0.05.4 | 04 | MAINTENANCE PARTS - BULBS |
| 0.05.4 | 04 | MAINTENANCE PARTS - BULBS |
| 0.05.4 | 05 | MAINTENANCE PARTS - PUMPS |
| D.I.A. | | DEALER INSTALLED ACCESSORY KITS INDEX |
| MAIN | | MAIN SECTIONS |
| SEC. 01 | | ENGINE |
| SEC. 02 | | ENGINE EQUIPMENT |
| SEC. 03 | | TRANSMISSION |
| SEC. 04 | | FRONT AXLE & STEERING |
| SEC. 05 | | REAR AXLE |
| SEC. 06 | | ELECTRICAL SYSTEM |
| SEC. 07 | | HYDRAULIC SYSTEM |
| SEC. 08 | | SHEET METAL |
| SEC. 09 | | IMPLEMENT LIFT |
| SEC. 10 | 01 | OPERATOR'S PLATFORM / CAB |
| SEC. 10 | 02 | OPERATOR'S PLATFORM / CAB |
| SEC. 10 | 03 | OPERATOR'S PLATFORM / CAB |
| SEC. 11 | 01 | WHEELS / TRACKS - FRONT |
| SEC. 11 | 02 | WHEELS / TRACKS - REAR |
| SEC. 13 | | DECALS |
| 0.02.1/01 | | ENGINE |
| 0.02.1/02 | | ENGINE |
| 0.02.1/03 | | ENGINE |
| 0.04.0 | | CRANKCASE |
| 0.04.2 | | ENGINE OIL SUMP |
| 0.04.3 | | CRANKCASE COVERS |
| 0.04.5 | | BREATHING - ENGINE |

TABLE OF CONTENTS

| | | |
|-----------|----|---|
| 0.06.0 | | CYLINDER HEAD |
| 0.06.3 | | CYLINDER HEAD COVERS |
| 0.06.6 | | ROCKER SHAFT |
| 0.07.1 | | INTAKE MANIFOLD |
| 0.07.7 | | EXHAUST MANIFOLD |
| 0.08.0 | | CRANKSHAFT |
| 0.08.1 | | CONNECTING ROD |
| 0.08.2 | | PISTON - ENGINE (2856312) |
| 0.08.3 | | FLYWHEEL WITH MECHANICAL PTO |
| 0.08.3/01 | | FLYWHEEL WITH POWER SHUTTLE |
| 0.08.3/02 | | FLYWHEEL WITH HYDRAULIC PTO (VAR.330727-334727-330728-331728-330729-334729-330819-334819) |
| 0.08.4 | | PULLEY - CRANKSHAFT |
| 0.10.5 | 01 | DYNAMIC BALANCER, GEARS & SHAFTS |
| 0.10.5 | 02 | DYNAMIC BALANCER, GEARS & SHAFTS |
| 0.12.0 | | CAMSHAFT - TIMING CONTROL |
| 0.14.0 | 02 | INJECTION EQUIPMENT - INJECTOR |
| 0.14.0/01 | | INJECTION PUMP |
| 0.14.0/02 | | INJECTION PUMP |
| 0.14.0/03 | | INJECTION PUMP |
| 0.14.2 | | INJECTION PUMP - CONTROL |
| 0.14.6 | | INJECTION EQUIPMENT - PIPING |
| 0.14.9 | | INJECTION EQUIPMENT - PIPING |
| 0.20.0 | | FUEL FILTER |
| 0.20.1 | | FUEL PUMP |
| 0.20.3 | | PIPING - FUEL |
| 0.20.4 | | INJECTION EQUIPMENT - PIPING |
| 0.24.0 | | TURBOCHARGING |
| 0.27.0 | | ENGINE OIL DIPSTICK |
| 0.27.2 | | MOTOR SENSORS |
| 0.30.0 | | OIL PUMP - ENGINE |
| 0.30.2 | | OIL FILTERS - ENGINE |
| 0.30.5 | | PIPING - ENGINE OIL |
| 0.31.5 | | HEAT EXCHANGER - ENGINE |
| 0.32.0 | | WATER PUMP |
| 0.32.3 | | PIPING - ENGINE COOLING SYSTEM |
| 0.32.6 | | THERMOSTAT - ENGINE COOLING SYSTEM |

TABLE OF CONTENTS

| | | |
|-----------|-----|--|
| 0.34.0 | | WATER PUMP DRIVE |
| 0.34.5 | | FAN DRIVE |
| 0.34.5/01 | | ENGINE WITH VISCOSTATIC FAN - FAN DRIVE (VAR.330174) |
| 0.35.0 | | POWER TAKE OFF |
| 0.36.0 | | STARTER MOTOR |
| 0.40.0 | | ALTERNATOR |
| 0.88.0 | | AIR CONDITIONING UNIT - BELTS AND COMPRESSOR (VAR.330641-331641) |
| 1.14.0 | | FUEL TANK AND RELATED PARTS |
| 1.14.0/01 | 01 | FUEL TANK WITH AUXILIARY TANK - MAIN TANK AND RELATED PARTS (VAR.330042-330043) |
| 1.14.0/01 | 02 | FUEL TANK WITH AUXILIARY TANK - AUXILIARY TANK AND RELATED PARTS (VAR.330042-330043) |
| 1.14.0/02 | | FUEL TANK FOR RICE PACKAGE - FUEL TANK AND RELATED PARTS (VAR.330137) |
| 1.14.6 | | FUEL PIPES |
| 1.14.7 | 01 | FUEL TANK SUPPORT - BRACKETS, TIE-RODS - SUPPORTS |
| 1.14.7 | 02 | FUEL TANK SUPPORT - BRACKETS, TIE-RODS - SUPPORTS |
| 1.14.7/01 | | POWER SHUTTLE TRANSMISSION - FUEL TANK SUPPORT (VAR.330114-332114-330279-332279-330299-331299-332299-333299) |
| 1.15.1 | 01 | MUFFLER - W/CAB - C6893 |
| 1.15.1 | 01A | MUFFLER - W/CAB - D6893 |
| 1.15.1 | 02 | MUFFLER - L/CAB |
| 1.15.1/01 | 01 | EXHAUST ASPIRATED DRY AIR CLEANER - MUFFLER - W/CAB - C6893 (VAR.331199) |
| 1.15.1/01 | 01A | EXHAUST ASPIRATED DRY AIR CLEANER - MUFFLER - W/CAB (VAR.331199) |
| 1.15.1/01 | 02 | EXHAUST ASPIRATED DRY AIR CLEANER - MUFFLER - L/CAB (VAR.331199) |
| 1.17.0 | | RADIATOR AND COOLING TANK |
| 1.17.5 | | RADIATOR PROTECTIVE SEALS - CONVEYOR, GUARDS |
| 1.19.1 | | DRY AIR CLEANER |
| 1.19.1/ A | | DRY AIR CLEANER - BREAKDOWN |
| 1.21.0 | 01 | TRACTOR BODY |
| 1.21.0 | 02 | TRACTOR BODY |
| 1.21.0 | 03 | TRACTOR BODY |
| 1.21.0/01 | 01 | 20X12 TRANSMISSION - TRACTOR BODY (VAR.330113-331113) |
| 1.21.0/01 | 02 | 20X12 TRANSMISSION - TRACTOR BODY (VAR.330113-331113) |
| 1.21.0/02 | 01 | POWER SHUTTLE TRANSMISSION - TRACTOR BODY (VAR.330114-332114-330279-332279) |
| 1.21.0/02 | 02 | POWER SHUTTLE TRANSMISSION - TRACTOR BODY (VAR.330114-331114-332114-333114-330279-331279-332279-333279) |
| 1.21.0/03 | 01 | 20X20 POWER SHUTTLE TRANSMISSION WITH CREEPER - TRACTOR BODY (VAR.330299-331299-332299-333299) |
| 1.21.0/03 | 02 | 20X20 POWER SHUTTLE TRANSMISSION WITH CREEPER - TRACTOR BODY (VAR.330299-331299-332299-333299) |
| 1.21.1 | | AXLE FASTENING FRONT SUPPORT |

TABLE OF CONTENTS

| | | |
|------------|----|--|
| 1.21.1/01 | | 2WD FRONT AXLE - AXLE FASTENING FRONT SUPPORT (VAR.330403) |
| 1.21.6 | | FITTING FOR LOADER (ISO) - BRACKETS (VAR.330489-330490) |
| 1.21.6/01 | | FITTING FOR LOADER (NA) - BRACKETS (VAR.330491-331491) |
| 1.25.0 | 01 | CLUTCH AND PTO SHAFT |
| 1.25.0 | 02 | CLUTCH AND PTO SHAFT |
| 1.25.0 | 03 | TORSIONAL DAMPER AND PTO SHAFT FOR POWER SHUTTLE |
| 1.25.0/01 | | CLUTCH AND PTO SHAFT FOR 20X12 TRANSMISSION - L/CAB |
| 1.25.0/02 | | TORSIONAL DAMPER AND PTO SHAFT FOR POWER SHUTTLE |
| 1.25.0/03 | | HYDRAULIC PTO - CLUTCH AND PTO SHAFTS (VAR.330727-334727-330729-334729-330728-332728-330819-334819) |
| 1.25.0/03A | | CLUTCH - PARTS |
| 1.26.2 | | FRICITION CLUTCH CONTROL, COUPLING FORK, LEVERS & TIE-RODS |
| 1.26.5 | | POWER TAKEOFF CONTROL - FRICTION CLUTCH |
| 1.27.0 | 01 | POWER SHUTTLE COVER AND MANIFOLD (VAR.331279-330299-331299-332299-333299) |
| 1.27.0 | 02 | POWER SHUTTLE CLUTCH (VAR.331279-330299-331299-332299-333299) |
| 1.27.0/01 | 01 | POWER SHUTTLE TRANSMISSION - POWER SHUTTLE COVER AND MANIFOLD (VAR.330114-332114-330279-332279) |
| 1.27.0/01 | 02 | POWER SHUTTLE TRANSMISSION - POWER SHUTTLE CLUTCH (VAR.330114-331114-332114-330279-332279-333279) |
| 1.27.2 | | 24X24 HI-LO POWER SHUTTLE TRANSMISSION - HI-LO CLUTCH (VAR.330279-331279-332279-333279) |
| 1.27.3 | 01 | POWER SHUTTLE CONTROL VALVE |
| 1.27.3 | 02 | POWER SHUTTLE PIPES |
| 1.27.3/01 | 01 | 12X12 HI-LO POWER SHUTTLE TRANSMISSION - POWER SHUTTLE CONTROL VALVE (VAR.330114-331114-332114) |
| 1.27.3/01 | 02 | 12X12 HI-LO POWER SHUTTLE TRANSMISSION - POWER SHUTTLE PIPES (VAR.330114-331114-332114) |
| 1.27.3/02 | 01 | 24X24 HI-LO POWER SHUTTLE TRANSMISSION - POWER SHUTTLE CONTROL VALVE (VAR.330279-331279-332279) |
| 1.27.3/02 | 02 | 24X24 HI-LO POWER SHUTTLE TRANSMISSION - POWER SHUTTLE PIPES (VAR.330279-331279-332279) |
| 1.27.3/03 | | HI-LO POWER SHUTTLE TRANSMISSION - POWER SHUTTLE PIPES (VAR.330727-334727-330729-334729-330728-331728-330819-334819) |
| 1.27.3/04 | 01 | 20X20 POWER SHUTTLE TRANSMISSION WITH CREEPER - POWER SHUTTLE CONTROL VALVE (VAR.330299-331299-332299-333299) |
| 1.27.3/04 | 02 | 20X20 POWER SHUTTLE TRANSMISSION WITH CREEPER - POWER SHUTTLE PIPES (VAR.330299-331299-332299-333299) |
| 1.27.4 | | 12X12 TRANSMISSION - REVERSER INTERLOCK MECHANISM |
| 1.27.7 | | POWER SHUTTLE - HEAT EXCHANGER & PIPES |
| 1.27.7/01 | | HYDRAULIC POWER TAKE OFF - HEAT EXCHANGER & PIPES (VAR.330727-334727-330729-334729-330728-332728-330819-334819) |
| 1.28.1 | 01 | 12X12 TRANSMISSION - REVERSER SHAFT AND MAIN GEARS |
| 1.28.1 | 02 | 12X12 TRANSMISSION - REVERSER DRIVEN GEARS |
| 1.28.1 | 03 | 12X12 POWER SHUTTLE TRANSMISSION - REVERSER MAIN SHAFTS AND GEARS |
| 1.28.1 | 04 | 12X12 POWER SHUTTLE TRANSMISSION - REVERSER DRIVEN SHAFT AND GEARS |
| 1.28.1/01 | 01 | 20X12 TRANSMISSION - CREEPER AND REVERSER MAIN GEARS (VAR.330113-331113) |

TABLE OF CONTENTS

| | | |
|-----------|----|---|
| 1.28.1/01 | 02 | 20X12 TRANSMISSION - CREEPER AND REVERSER DRIVEN GEARS (VAR.330113-331113) |
| 1.28.1/02 | 01 | 12X12 POWER SHUTTLE TRANSMISSION - REVERSER MAIN SHAFTS AND GEARS (VAR.330114-331114-332114) |
| 1.28.1/02 | 02 | 12X12 POWER SHUTTLE TRANSMISSION - REVERSER DRIVEN SHAFT AND GEARS (VAR.330114-331114-332114) |
| 1.28.1/03 | 01 | 24X24 HI-LO POWER SHUTTLE TRANSMISSION - REVERSER MAIN SHAFTS AND GEARS (VAR.330279-331279-332279) |
| 1.28.1/03 | 02 | 24X24 HI-LO POWER SHUTTLE TRANSMISSION - HI-LO AND REVERSER DRIVEN GEARS (VAR.330279-331279-332279) |
| 1.28.1/03 | 03 | 24X24 HI-LO POWER SHUTTLE TRANSMISSION - HI-LO AND REVERSER DRIVEN SHAFT (VAR.330279-331279-332279) |
| 1.28.1/04 | | HYDRAULIC PTO - REVERSER SHAFT (VAR.330727-334727-330728-331728-330729-334729-330819-334819) |
| 1.28.1/05 | 01 | 20X20 POWER SHUTTLE TRANSMISSION WITH CREEPER - REVERSER MAIN SHAFTS AND GEARS (VAR.330299-331299-332299-333299) |
| 1.28.1/05 | 02 | 20X20 POWER SHUTTLE TRANSMISSION WITH CREEPER - REVERSER DRIVEN SHAFT AND GEARS (VAR.330299-331299-332299-333299) |
| 1.28.7 | 01 | 40KM/H 12X12 FOR LIGHT DUTY REAR TRANSMISSION - SPEED MAIN SHAFT AND GEARS |
| 1.28.7 | 02 | 40KM/H 12X12 FOR LIGHT DUTY REAR TRANSMISSION - SPEED MAIN SHAFT AND GEARS |
| 1.28.7 | 03 | 12X12 POWER SHUTTLE TRANSMISSION - SPEED MAIN SHAFT AND GEARS |
| 1.28.7 | 04 | 12X12 POWER SHUTTLE TRANSMISSION - SPEED DRIVEN SHAFT AND GEARS |
| 1.28.7/01 | 01 | 40KM/H 12X12 FOR HEAVY DUTY REAR TRANSMISSION - SPEED MAIN SHAFT AND GEARS |
| 1.28.7/01 | 02 | 40KM/H 12X12 FOR HEAVY DUTY REAR TRANSMISSION - SPEED MAIN SHAFT AND GEARS |
| 1.28.7/02 | 01 | 12X12 POWER SHUTTLE TRANSMISSION - SPEED MAIN SHAFT AND GEARS |
| 1.28.7/02 | 02 | 12X12 POWER SHUTTLE TRANSMISSION - SPEED DRIVEN SHAFT AND GEARS |
| 1.28.7/03 | 01 | 30KM/H FOR LIGHT DUTY REAR TRANSMISSION - SPEED MAIN SHAFT AND GEARS (VAR.330280) |
| 1.28.7/03 | 02 | 30KM/H FOR LIGHT DUTY REAR TRANSMISSION - SPEED DRIVEN SHAFT AND GEARS (VAR.330280) |
| 1.28.7/04 | 01 | 30KM/H FOR HEAVY DUTY REAR TRANSMISSION - SPEED MAIN SHAFT AND GEARS (VAR.337408) |
| 1.28.7/04 | 02 | 30KM/H FOR HEAVY DUTY REAR TRANSMISSION - SPEED DRIVEN SHAFT AND GEARS (VAR.337408) |
| 1.28.7/05 | 01 | 20X12 TRANSMISSION - SPEED MAIN SHAFT AND SUPPORT (VAR.330113-331113) |
| 1.28.7/05 | 02 | 20X12 TRANSMISSION - SPEED DRIVEN SHAFT (VAR.330113-331113) |
| 1.28.7/06 | 01 | 12X12 POWER SHUTTLE TRANSMISSION - SPEED MAIN SHAFT AND SUPPORT (VAR.330114-331114-332114) |
| 1.28.7/06 | 02 | 12X12 POWER SHUTTLE TRANSMISSION - SPEED DRIVEN SHAFT (VAR.330114-331114-332114) |
| 1.28.7/07 | 01 | 20X20 POWER SHUTTLE TRANSMISSION WITH CREEPER - SPEED MAIN SHAFT AND SUPPORT (VAR.330299-331299-332299-333299) |
| 1.28.7/07 | 02 | 20X20 POWER SHUTTLE TRANSMISSION WITH CREEPER - SPEED DRIVEN SHAFT (VAR.330299-331299-332299-333299) |
| 1.28.7/08 | 01 | 24X24 HI-LO POWER SHUTTLE TRANSMISSION - SPEED MAIN SHAFT AND SUPPORT (VAR.330279-331279-332279) |
| 1.28.7/08 | 02 | 24X24 HI-LO POWER SHUTTLE TRANSMISSION - SPEED DRIVEN SHAFT (VAR.330279-331279-332279) |
| 1.29.0 | 01 | 12X12 TRANSMISSION - REVERSER GEARSHIFT MECHANISM - LEVERS AND TIE-RODS |
| 1.29.0 | 02 | 12X12 TRANSMISSION - REVERSER GEARSHIFT MECHANISM - LEVERS AND TIE-RODS |
| 1.29.0/01 | 01 | 20X12 TRANSMISSION - CREEPER AND REVERSER GEARSHIFT MECHANISM - RODS AND FORKS (VAR.330113-331113) |
| 1.29.0/01 | 02 | 20X12 TRANSMISSION - CREEPER GEARSHIFT MECHANISM - LEVERS AND TIE-RODS (VAR.330113-331113) |

TABLE OF CONTENTS

| | | |
|-----------|----|---|
| 1.29.0/01 | 03 | 20X12 TRANSMISSION - REVERSER GEARSHIFT MECHANISM - LEVERS AND TIE-RODS (VAR.330113-331113) |
| 1.29.0/02 | 01 | 20X20 POWER SHUTTLE TRANSMISSION WITH CREEPER - CREEPER GEARSHIFT MECHANISM - RODS AND FORKS (VAR.330299-331299-332299-333299) |
| 1.29.0/02 | 02 | 20X20 POWER SHUTTLE TRANSMISSION WITH CREEPER - CREEPER GEARSHIFT MECHANISM - LEVERS AND TIE-RODS (VAR.330299-331299-332299-333299) |
| 1.29.1 | 01 | 40KM/H 12X12 FOR LIGHT DUTY REAR TRANSMISSION - SPEED GEARSHIFT MECHANISM - RODS AND FORKS |
| 1.29.1 | 02 | 40KM/H 12X12FOR LIGHT DUTY REAR TRANSMISSION - SPEED GEARSHIFT MECHANISM - LEVERS AND TIE-RODS |
| 1.29.1 | 03 | POWER SHUTTLE TRANSMISSION - SPEED GEARSHIFT MECHANISM - LEVERS AND TIE-RODS |
| 1.29.1/01 | 01 | 40KM/H 12X12 FOR HEAVY DUTY REAR TRANSMISSION - SPEED GEARSHIFT MECHANISM - RODS AND FORKS |
| 1.29.1/01 | 02 | 40KM/H 12X12FOR HEAVY DUTY REAR TRANSMISSION - SPEED GEARSHIFT MECHANISM - LEVERS AND TIE-RODS |
| 1.29.1/02 | | POWER SHUTTLE TRANSMISSION - SPEED GEARSHIFT MECHANISM - LEVERS AND TIE-RODS |
| 1.29.1/03 | | 30KM/H FOR LIGHT DUTY REAR TRANSMISSION - SPEED GEARSHIFT MECHANISM - RODS AND FORKS (VAR.330280) |
| 1.29.1/04 | | 30KM/H FOR HEAVY DUTY REAR TRANSMISSION - SPEED GEARSHIFT MECHANISM - RODS AND FORKS (VAR.337408) |
| 1.29.1/05 | | POWER SHUTTLE TRANSMISSION - SPEED GEARSHIFT MECHANISM - LEVERS AND TIE-RODS (VAR.330114-332114-330279-332279) |
| 1.29.1/06 | | 20X20 POWER SHUTTLE TRANSMISSION WITH CREEPER - SPEED GEARSHIFT MECHANISM - LEVERS AND TIE-RODS (VAR.330299-331299-332299-333299) |
| 1.32.0 | 01 | CASINGS, COVERS AND SUPPORTS |
| 1.32.0 | 02 | CASINGS, COVERS AND SUPPORTS |
| 1.32.0/01 | | DIFFERENTIAL GEARS FOR HD REAR AXLE - CASINGS, COVERS AND SUPPORTS (VAR.330451-332451) |
| 1.32.1 | 01 | CENTRAL REDUCTION - MEDIUM RANGE GEARS |
| 1.32.1 | 02 | CENTRAL REDUCTION - SLOW/FAST RANGE GEARS AND BEVEL GEARS |
| 1.32.1 | 03 | CENTRAL REDUCTION - ADJUSTING SHIMS - C5671 |
| 1.32.1 | 04 | CENTRAL REDUCTION FOR HD REAR AXLE - MEDIUM RANGE GEARS |
| 1.32.1 | 05 | CENTRAL REDUCTION FOR HD REAR AXLE - SLOW/FAST RANGE GEARS AND BEVEL GEARS |
| 1.32.1/01 | 01 | CENTRAL REDUCTION FOR HD REAR AXLE - MEDIUM RANGE GEARS |
| 1.32.1/01 | 02 | CENTRAL REDUCTION FOR HD REAR AXLE - SLOW/FAST RANGE GEARS AND BEVEL GEARS (VAR.330451-336408) |
| 1.32.2 | 01 | CENTRAL REDUCTION - RANGE GEARSHIFT MECHANISM - RODS AND FORKS |
| 1.32.2 | 02 | CENTRAL REDUCTION - RANGE GEARSHIFT MECHANISM - LEVERS AND TIE-RODS |
| 1.32.2/01 | | POWER SHUTTLE TRANSMISSION - RANGE GEARSHIFT MECHANISM - LEVERS AND TIE-RODS |
| 1.32.2/02 | 01 | POWER SHUTTLE TRANSMISSION - RANGE GEARSHIFT MECHANISM - RODS AND FORKS |
| 1.32.2/02 | 02 | 20X20 POWER SHUTTLE TRANSMISSION WITH CREEPER - RANGE GEARSHIFT MECHANISM - LEVERS AND TIE-RODS (VAR.330299-331299-332299-333299) |
| 1.32.4 | 01 | DIFFERENTIAL GEARS FOR STANDARD REAR AXLE - PARTS |
| 1.32.4 | 02 | DIFFERENTIAL GEARS FOR STANDARD REAR AXLE - PARTS |
| 1.32.4 | 03 | DIFFERENTIAL GEARS FOR HD REAR AXLE - PARTS |
| 1.32.4 | 04 | DIFFERENTIAL GEARS FOR HD REAR AXLE - PARTS |
| 1.32.4/01 | | DIFFERENTIAL GEARS FOR HD REAR AXLE - BREAKDOWN (VAR.330451-332451) |
| 1.32.6 | 01 | DIFFERENTIAL LOCK FOR STANDARD REAR AXLE - RODS & FORKS |

TABLE OF CONTENTS

| | | |
|------------|----|---|
| 1.32.6 | 02 | DIFFERENTIAL LOCK FOR HD REAR AXLE - RODS & FORKS |
| 1.32.6/01 | | 2WD REAR MECHANICAL DIFFERENTIAL LOCK FOR MECHANICAL TRANS. - RODS & FORKS (VAR.339380) |
| 1.33.0 | | IDLER CASE & COVERS - 4WD |
| 1.33.1 | 01 | IDLER GEARS - 4WD - GEARS |
| 1.33.1 | 02 | IDLER GEARS - 4WD - DRIVE SHAFT |
| 1.33.2 | 01 | IDLER CONTROLS - PIPES & SOLENOID VALVES |
| 1.33.2 | 02 | IDLER CONTROLS - PIPES |
| 1.33.2 | 03 | IDLER CONTROLS FOR POWER SHUTTLE TRANSMISSION - PIPES & SOLENOID VALVES |
| 1.33.2 | 04 | IDLER CONTROLS FOR POWER SHUTTLE TRANSMISSION - PIPES |
| 1.33.2/01 | | IDLER CONTROLS FOR REAR MECH. DIFF. LOCK - PIPES |
| 1.33.2/02 | | IDLER CONTROLS FOR POWER SHUTTLE TRANSMISSION - PIPES |
| 1.33.2/03 | | FRONT AXLE WITH DIFFERENTIAL LOCK - HYDRAULIC LINES - PIPES (VAR.330308) |
| 1.33.2/04 | | FRONT AXLE WITH DIFFERENTIAL LOCK AND BRAKES - HYDRAULIC LINES - PIPES (VAR.330415) |
| 1.33.2/05 | | FRONT AXLE W/LIMITED SLIP DIFF - HYDRAULIC LINES - PIPES (VAR.330323) |
| 1.33.2/06 | | 2WD DIFFERENTIAL LOCK FOR HYDR. PTO LESS GROUND SPEED - SOLENOID VALVES & SUPP. (VAR.331380-332380) |
| 1.33.2/07 | | 2WD DIFFERENTIAL LOCK FOR HYDR. PTO WITH GROUND SPEED - SOLENOID VALVES & SUPP. (VAR.335380-336380) |
| 1.33.2/08 | | 4WD DIFFERENTIAL LOCK FOR HYDR. PTO LESS GROUND SPEED - SOLENOID VALVES & SUPP. (VAR.333380-334380) |
| 1.33.2/09 | | 4WD DIFFERENTIAL LOCK FOR HYDR. PTO WITH GROUND SPEED - SOLENOID VALVES & SUPP. (VAR.STD-335380-336380) |
| 1.38.5 | | PROPELLER SHAFT (4WD) AND GUARD |
| 1.38.5/01 | | 4WD WATER PROOF TRANSMISSION - SLEEVES AND SUPPORTS (VAR.330448) |
| 1.40.0/01 | | FRONT AXLE - BOX & RELEVANT PARTS |
| 1.40.0/02 | | FRONT AXLE - STEERING KNUCKLE AND HUBS |
| 1.40.0/05 | | FRONT AXLE - SUPPORT AND ROD |
| 1.40.0/06 | 01 | FRONT AXLE - BEVEL GEAR/PINION SET |
| 1.40.0/06 | 02 | FRONT AXLE - BEVEL GEAR/PINION SET |
| 1.40.0/07 | | FRONT AXLE - DIFFERENTIAL |
| 1.40.0/10 | 01 | FRONT AXLE - DIFFERENTIAL GEARS AND SHAFT |
| 1.40.0/10 | 02 | FRONT AXLE - DIFFERENTIAL GEARS AND SHAFT |
| 1.40.0/10A | | FRONT AXLE - HALF-SHAFTS |
| 1.40.0/12 | | FRONT AXLE - HYDRAULIC STEERING CYLINDER |
| 1.40.0/12A | | 4WD FRONT AXLE - HYDRAULIC STEERING CYLINDER - BREAKDOWN |
| 1.40.1/01 | | FRONT AXLE WITH DIFFERENTIAL LOCK - BOX & RELEVANT PARTS (VAR.330308) |
| 1.40.1/02 | | FRONT AXLE WITH DIFFERENTIAL LOCK - STEERING KNUCKLE AND HUBS (VAR.330308) |
| 1.40.1/03 | 01 | FRONT AXLE WITH DIFFERENTIAL LOCK - SLEEVES AND COVER PLATE (VAR.330308) |
| 1.40.1/03 | 02 | FRONT AXLE WITH DIFFERENTIAL LOCK - HYDRAULIC DIFF. LOCK CONTROL (VAR.330308) |

TABLE OF CONTENTS

| | | |
|------------|----|--|
| 1.40.1/05 | | FRONT AXLE WITH DIFFERENTIAL LOCK - SUPPORT AND ROD (VAR.330308) |
| 1.40.1/06 | 01 | FRONT AXLE WITH DIFFERENTIAL LOCK - FRONT AXLE - BEVEL GEAR/PINION SET (VAR.330308) |
| 1.40.1/06 | 02 | FRONT AXLE WITH DIFFERENTIAL LOCK - BEVEL GEAR/PINION SET (VAR.330308) |
| 1.40.1/07 | | FRONT AXLE WITH DIFFERENTIAL LOCK - DIFFERENTIAL (VAR.330308) |
| 1.40.1/10 | 01 | FRONT AXLE WITH DIFFERENTIAL LOCK - DIFFERENTIAL GEARS AND SHAFT (VAR.330308) |
| 1.40.1/10 | 02 | FRONT AXLE WITH DIFFERENTIAL LOCK - DIFFERENTIAL GEARS AND SHAFT (VAR.330308) |
| 1.40.1/10A | | FRONT AXLE WITH DIFFERENTIAL LOCK - DIFFERENTIAL SHAFT - BREAKDOWN (VAR.330308) |
| 1.40.1/12 | | FRONT AXLE WITH DIFFERENTIAL LOCK - HYDRAULIC STEERING CYLINDER (VAR.330308) |
| 1.40.2/01 | | FRONT AXLE WITH DIFFERENTIAL LOCK AND BRAKES - BOX & RELEVANT PARTS (VAR.330415) |
| 1.40.2/02 | | FRONT AXLE WITH DIFFERENTIAL LOCK AND BRAKES - STEERING KNUCKLE AND HUBS (VAR.330415) |
| 1.40.2/03 | 01 | FRONT AXLE WITH DIFFERENTIAL LOCK AND BRAKES - SLEEVES AND COVER PLATE (VAR.330415) |
| 1.40.2/03 | 02 | FRONT AXLE WITH DIFFERENTIAL LOCK AND BRAKES - HYDRAULIC DIFF. LOCK CONTROL (VAR.330415) |
| 1.40.2/05 | | FRONT AXLE WITH DIFFERENTIAL LOCK AND BRAKES - SUPPORT AND ROD (VAR.330415) |
| 1.40.2/06 | 01 | FRONT AXLE WITH DIFFERENTIAL LOCK AND BRAKES - FRONT AXLE - BEVEL GEAR/PINION SET (VAR.330415) |
| 1.40.2/06 | 02 | FRONT AXLE WITH DIFFERENTIAL LOCK AND BRAKES - BEVEL GEAR/PINION SET (VAR.330415) |
| 1.40.2/07 | | FRONT AXLE WITH DIFFERENTIAL LOCK AND BRAKES - DIFFERENTIAL (VAR.330415) |
| 1.40.2/10 | 01 | FRONT AXLE WITH DIFFERENTIAL LOCK AND BRAKES - DIFFERENTIAL GEARS AND SHAFT (VAR.330415) |
| 1.40.2/10 | 02 | FRONT AXLE WITH DIFFERENTIAL LOCK AND BRAKES - DIFFERENTIAL GEARS AND SHAFT (VAR.330415) |
| 1.40.2/10A | | FRONT AXLE WITH DIFFERENTIAL LOCK AND BRAKES - DIFFERENTIAL SHAFT - BREAKDOWN |
| 1.40.2/12 | | FRONT AXLE WITH DIFFERENTIAL LOCK AND BRAKES - HYDRAULIC STEERING CYLINDER (VAR.330415) |
| 1.40.2/14 | 01 | FRONT AXLE WITH DIFFERENTIAL LOCK AND BRAKES - BRAKE PARTS (VAR.330415) |
| 1.40.2/14 | 02 | FRONT AXLE WITH DIFFERENTIAL LOCK AND BRAKES - PIPES (VAR.330415) |
| 1.40.3/01 | | FRONT AXLE W/LIMITED SLIP DIFF - BOX & RELEVANT PARTS (VAR.330323) |
| 1.40.3/02 | | FRONT AXLE W/LIMITED SLIP DIFF - STEERING KNUCKLE AND HUBS (VAR.330323) |
| 1.40.3/05 | | FRONT AXLE W/LIMITED SLIP DIFF - SUPPORT AND ROD (VAR.330323) |
| 1.40.3/06 | 01 | FRONT AXLE W/LIMITED SLIP DIFF - BEVEL GEAR/PINION SET (VAR.330323) |
| 1.40.3/06 | 02 | FRONT AXLE W/LIMITED SLIP DIFF - BEVEL GEAR/PINION SET (VAR.330323) |
| 1.40.3/07 | | FRONT AXLE W/LIMITED SLIP DIFF - DIFFERENTIAL (VAR.330323) |
| 1.40.3/10 | 01 | FRONT AXLE W/LIMITED SLIP DIFF - DIFFERENTIAL GEARS AND SHAFT (VAR.330323) |
| 1.40.3/10 | 02 | FRONT AXLE W/LIMITED SLIP DIFF - DIFFERENTIAL GEARS AND SHAFT (VAR.330323) |
| 1.40.3/12 | | FRONT AXLE W/LIMITED SLIP DIFF - HYDRAULIC STEERING CYLINDER (VAR.330323) |
| 1.41.0 | 01 | 2WD FRONT AXLE - HUBS (VAR.330403) |
| 1.41.0 | 02 | 2WD FRONT AXLE - STEERING ROD & PIPES (VAR.330403) |
| 1.41.0/ A | | 2WD FRONT AXLE - POWER STEERING CYLINDER - PARTS (VAR.330403) |
| 1.41.0/ B | | 2WD FRONT AXLE - TRANSVERSAL STEERING TIE-ROD - C6086 (VAR.330403) |

TABLE OF CONTENTS

| | | |
|-----------|----|--|
| 1.41.0/ C | | 2WD FRONT AXLE - TRANSVERSAL STEERING TIE-ROD - D6086 (VAR.330403) |
| 1.42.0 | 01 | POWER STEERING HYDRAULIC CONTROL - PIPES & BRACKETS |
| 1.42.0 | 02 | POWER STEERING HYDRAULIC CONTROL - PIPES & BRACKETS |
| 1.42.0/ A | | 61 L/MIN HYDRAULIC PUMP - BREAKDOWN - C5996 |
| 1.42.0/ B | | 45 L/MIN HYDRAULIC PUMP - BREAKDOWN (VAR. 330689) |
| 1.42.0/ C | | HYDRAULIC PUMP - BREAKDOWN - D5996 |
| 1.44.0 | | FRONT SUPPORT AND BALLAST (VAR.330225-330226-330227) |
| 1.48.0 | | BOX SIDE REDUCTION GEAR SPACERS |
| 1.48.1 | 01 | FINAL DRIVE, GEARS AND SHAFTS |
| 1.48.1 | 02 | FINAL DRIVE, GEARS AND SHAFTS |
| 1.48.1 | 03 | FINAL DRIVE, GEARS AND SHAFTS |
| 1.48.1 | 04 | FINAL DRIVE, GEARS AND SHAFTS |
| 1.48.1/01 | | VERSION FOR JAPAN (WATERPROOF) - SIDE REDUCTION GEAR BOX, SHAFT (VAR.330450-330453-332451) |
| 1.48.2 | | REAR BALLAST (VAR.330470-330471-331471) |
| 1.65.3 | | TRANSMISSION BRAKE - PARTS |
| 1.65.5 | | PARKING BRAKE |
| 1.65.5/01 | 01 | 2WD - PARKING BRAKE - SUPPORT (VAR.337401) |
| 1.65.5/01 | 02 | 2WD - PARKING BRAKE - BRAKE DISCS AND PADS (VAR.337401) |
| 1.67.2 | | HANDBRAKE CONTROL |
| 1.68.5 | | BRAKE PIPING |
| 1.68.5/01 | | FRONT AXLE WITH DIFFERENTIAL LOCK - PIPES (VAR.330308) |
| 1.68.5/02 | | FRONT AXLE WITH DIFFERENTIAL LOCK AND BRAKES - BRACKETS, PIPES (VAR.330415) |
| 1.68.5/03 | | FRONT AXLE W/LIMITED SLIP DIFF - BRAKE PIPES (VAR.330323) |
| 1.68.5/04 | | 2WD FRONT AXLE - BRAKE PIPING (VAR.330403) |
| 1.68.5/05 | | 2WD REAR MECHANICAL DIFFERENTIAL LOCK FOR MECHANICAL TRANS. - BRAKE PIPING (VAR.339380) |
| 1.68.6 | 01 | TRAILER AIR BRAKE GERMANY - PIPES (VAR.330335) |
| 1.68.6 | 02 | TRAILER AIR BRAKE GERMANY - PULLEYS AND BELT (VAR.330335) |
| 1.68.6 | 03 | TRAILER ARI BRAKE GERMANY - COMPRESSOR AND SUPPORT (VAR.330335) |
| 1.68.6 | 04 | TRAILER AIR BRAKE GERMANY - PIPES (VAR.330335) |
| 1.68.6 | 05 | TRAILER AIR BRAKE GERMANY - CONTROL VALVES (VAR.330335) |
| 1.68.6 | 06 | TRAILER AIR BRAKE GERMANY - AUR TANK AND PIPES (VAR.330335) |
| 1.68.6 | 07 | TRAILER AIR BRAKE GERMANY - AIR BRAKE CONTROL VALVE (VAR.330335) |
| 1.68.6 | 08 | TRAILER AIR BRAKE GERMANY - AIR BRAKE BRACKET AND RELEVANT PARTS (VAR.330335) |
| 1.68.6 | 09 | TRAILER AIR BRAKE GERMANY - CONTROL VALVES (VAR.330335) |
| 1.68.7 | 01 | TRAILER AIR BRAKE ITALY - PIPES (VAR.331335) |
| 1.68.7 | 02 | TRAILER AIR BRAKE ITALY - PULLEYS AND BELT (VAR.331335) |

TABLE OF CONTENTS

| | | |
|-----------|-----|---|
| 1.68.7 | 03 | TRAILER ARI BRAKE ITALY - COMPRESSOR AND SUPPORT (VAR.331335) |
| 1.68.7 | 04 | TRAILER AIR BRAKE ITALY - PIPES (VAR.331335) |
| 1.68.7 | 05 | TRAILER AIR BRAKE ITALY - CONTROL VALVES (VAR.331335) |
| 1.68.7 | 06 | TRAILER AIR BRAKE ITALY - AIR TANK AND PIPES (VAR.331335) |
| 1.68.7 | 07 | TRAILER AIR BRAKE ITALY - AIR BRAKE CONTROL VALVE (VAR.331335) |
| 1.68.7 | 08 | TRAILER AIR BRAKE ITALY - AIR BRAKE BRACKET AND RELEVANT PARTS (VAR.331335) |
| 1.68.7 | 09 | TRAILER AIR BRAKE ITALY - CONTROL VALVES (VAR.331335) |
| 1.74.1 | | BATTERY AND BATTERY MOUNTING (VAR.330740-330741) |
| 1.75.0 | | ENGINE BLOCK HEATER, 240 V (ISO) (VAR.331216) |
| 1.75.0/01 | | ENGINE BLOCK HEATER, 120 V (NA) (VAR.332216) |
| 1.75.1 | | HYDRAULIC LIFT FOR POWER SHUTTLE WITH EDC AND RADAR - RADAR - W/CAB (VAR.330753-331753) |
| 1.75.3 | 01 | BATTERY CABLES - C6458 |
| 1.75.3 | 01A | BATTERY CABLES - D6458 |
| 1.75.3/01 | | MECHANICAL BATTERY ISOLATOR (VAR.331798) |
| 1.75.3/02 | 01 | ELECTRICALLY CONTROLLED BATTERY ISOLATOR - D6458 (VAR.330798) |
| 1.75.3/02 | 02 | ELECTRICALLY CONTROLLED BATTERY ISOLATOR - HARNESS - D6458 (VAR.330798) |
| 1.75.4 | 01 | ENGINE CABLES - W/CAB |
| 1.75.4 | 02 | ENGINE CABLES - L/CAB |
| 1.75.4 | 03 | SYNCHRO SHUTTLE TRANSMISSION - TRANSMISSION HARNESS |
| 1.75.4 | 04 | LAMPS & LIGHTS HARNESS |
| 1.75.4 | 05 | ELECTRICAL EQUIPMENT |
| 1.75.4 | 06 | ELECTRICAL EQUIPMENT |
| 1.75.4 | 07 | REAR ELECTRIC PARTS |
| 1.75.4 | 08 | MAIN CABLE - L/CAB |
| 1.75.4/ A | | FUSE BOX |
| 1.75.4/01 | | NORTH AMERICA VERSION - REAR ELECTRIC PARTS (VAR.330007-334007-338007) |
| 1.75.4/02 | | AIR HEATER TYPE ENGINE STARTING AID (VAR.331206-333206) |
| 1.75.4/03 | | POWER SHUTTLE TRANSMISSION -TRANSMISSION HARNESS |
| 1.75.4/04 | | POWER SHUTTLE TRANSMISSION FOR MECHANICAL DRAFT CONTROL - MAIN L/CAB (VAR.330114-331114-330279-330299-331299) |
| 1.75.6 | 01 | FRONT ROAD LIGHTING - L/CAB - C6382 |
| 1.75.6 | 01A | FRONT ROAD LIGHTING - L/CAB - D6382 |
| 1.75.6 | 02 | REAR ROAD LIGHTING - L/CAB (VAR.331008) |
| 1.75.6 | 03 | FRONT ROAD LIGHTING |
| 1.75.6/01 | | NORTH AMERICA VERSION - TAIL DIRECTION LAMP - L/CAB (VAR.334007) |
| 1.80.1 | 01 | MECH. 540 POWER TAKE OFF - COVER, GUARD AND SENSOR |
| 1.80.1 | 02 | MECH. 540 POWER TAKE OFF - SHAFTS & GEARS |

TABLE OF CONTENTS

| | | |
|-----------|----|---|
| 1.80.1/01 | 01 | MECH. 540/750 POWER TAKE OFF - COVER, GUARD AND SENSOR |
| 1.80.1/01 | 02 | MECH. 540/750 POWER TAKE OFF - SHAFTS & GEARS |
| 1.80.1/01 | 03 | MECH. 540/750 POWER TAKE OFF - SPEED SELECTION MECHANISM |
| 1.80.1/02 | 01 | HYDR. 540 POWER TAKEOFF FOR POWER SHUTTLE TRANSMISSION - COVER & GUARD |
| 1.80.1/02 | 02 | HYDR. 540 POWER TAKEOFF FOR POWER SHUTTLE TRANSMISSION - COVER & GUARD |
| 1.80.1/02 | 03 | HYDR. 540 POWER TAKEOFF FOR POWER SHUTTLE TRANSMISSION - SHAFTS & GEARS |
| 1.80.1/03 | 01 | HYDR. 540/1000 POWER TAKEOFF FOR POWER SHUTTLE TRANSMISSION - COVER & GUARD |
| 1.80.1/03 | 02 | HYDR. 540/1000 POWER TAKEOFF FOR POWER SHUTTLE TRANSMISSION - COVER & GUARD |
| 1.80.1/03 | 03 | HYDR. 540/1000 POWER TAKEOFF FOR POWER SHUTTLE TRANSMISSION - SHAFTS & GEARS |
| 1.80.1/03 | 04 | HYDR. 540/1000 POWER TAKEOFF FOR POWER SHUTTLE TRANSMISSION - SHAFTS & GEARS |
| 1.80.1/03 | 05 | HYDR. 540/1000 POWER TAKEOFF FOR POWER SHUTTLE TRANSMISSION - SPEED SELECTION MECHANISM |
| 1.80.1/04 | 01 | MECH. 540/750 POWER TAKE OFF (ISO) - COVER, GUARD AND SENSOR (VAR.330818-332818) |
| 1.80.1/04 | 02 | MECH. 540/750 POWER TAKE OFF (ISO) - SHAFTS & GEARS (VAR.330818-332818) |
| 1.80.1/04 | 03 | MECH. 540/750 POWER TAKE OFF (ISO) - SPEED SELECTION MECHANISM (VAR.330818-332818) |
| 1.80.1/05 | 01 | MECH. 540/1000 POWER TAKE OFF (NA) - COVER, GUARD AND SENSOR (VAR.330815-331815) |
| 1.80.1/05 | 02 | MECH. 540/1000 POWER TAKE OFF (NA) - SHAFTS & GEARS (VAR.330815-331815) |
| 1.80.1/05 | 03 | MECH. 540/1000 POWER TAKE OFF (NA) - SPEED SELECTION MECHANISM (VAR.330815-331815) |
| 1.80.1/06 | 01 | MECH. 540/750 POWER TAKE OFF W/GROUND SPEED - COVER, GUARD AND SENSOR (VAR.330807-332807) |
| 1.80.1/06 | 02 | MECH. 540/750 POWER TAKE OFF W/GROUND SPEED - SHAFTS & GEARS (VAR.330807-332807) |
| 1.80.1/06 | 03 | MECH. 540/750 POWER TAKE OFF W/GROUND SPEED - SPEED SELECTION MECHANISM (VAR.330807-332807) |
| 1.80.1/07 | 01 | HYDR. 540 POWER TAKE OFF - GUARD (VAR.330727-334727) |
| 1.80.1/07 | 02 | HYDR. 540 POWER TAKE OFF - COVER AND SENSOR (VAR.330727-334727) |
| 1.80.1/07 | 03 | HYDR. 540 POWER TAKE OFF - SHAFTS & GEARS (VAR.330727-334727) |
| 1.80.1/08 | 01 | HYDR. 540/750/1000 RPM POWER TAKE OFF (ISO) - COVER AND GUARD (VAR.330729-334729-331729) |
| 1.80.1/08 | 02 | HYDR. 540/750/1000 RPM POWER TAKE OFF (ISO) - SHAFTS & GEARS (VAR.330729-334729-331729) |
| 1.80.1/08 | 03 | HYDR. 540/750/1000 RPM POWER TAKE OFF (ISO) - SPEED SELECTION MECHANISM (VAR.330729-334729-331729) |
| 1.80.1/09 | 01 | HYDR. 540/1000 RPM POWER TAKE OFF (NA) - COVER AND GUARD (VAR.330728-331728-332728) |
| 1.80.1/09 | 02 | HYDR. 540/1000 RPM POWER TAKE OFF (NA) - SHAFTS & GEARS (VAR.330728-331728-332728) |
| 1.80.1/09 | 03 | HYDR. 540/1000 RPM POWER TAKE OFF (NA) - SPEED SELECTION MECHANISM (VAR.330728-331728-332728) |
| 1.80.1/10 | 01 | HYDR. 540/750/1000 POWER TAKE OFF W/GROUND SPEED - COVER, GUARD AND SENSOR (VAR.330819-331819-334819) |
| 1.80.1/10 | 02 | HYDR. 540/750/1000 POWER TAKE OFF W/GROUND SPEED - SHAFTS & GEARS (VAR.330819-331819-334819) |
| 1.80.1/10 | 03 | HYDR. 540/750/1000 POWER TAKE OFF W/GROUND SPEED - SPEED SELECTION MECHANISM (VAR.330819-331819-334819) |
| 1.80.1/11 | | PTO GUARDS (VAR.331294-333294-331797-330810-331810) |
| 1.80.1/12 | 01 | HYDR. 540/750/1000 RPM POWER TAKE OFF (ISO) - COVER AND GUARD |

TABLE OF CONTENTS

| | | |
|------------|-----|---|
| 1.80.1/12 | 02 | HYDR. 540/750/1000 RPM POWER TAKE OFF (ISO) - COVER AND SENSOR |
| 1.80.1/12 | 03 | HYDR. 540/750/1000 RPM POWER TAKE OFF (ISO) - SHAFTS & GEARS |
| 1.80.1/12 | 04 | HYDR. 540/750/1000 RPM POWER TAKE OFF (ISO) - SPEED SELECTION MECHANISM |
| 1.80.1/13 | 01 | HYDR. 540/750/1000 POWER TAKE OFF W/ GROUND SPEED - COVER, GUARD AND SENSOR (VAR.331819) |
| 1.80.1/13 | 02 | HYDR. 540/750/1000 POWER TAKE OFF W/ GROUND SPEED - SHAFTS & GEARS (VAR.331819) |
| 1.80.1/13 | 03 | HYDR. 540/750/1000 POWER TAKE OFF W/ GROUND SPEED - SPEED SELECTION MECHANISM (VAR.331819) |
| 1.80.6 | 01 | POWER TAKEOFF FOR POWER SHUTTLE TRANSMISSION - PIPES |
| 1.80.6 | 02 | POWER TAKEOFF FOR POWER SHUTTLE TRANSMISSION - PIPES |
| 1.80.6/01 | | HYDR. POWER TAKE OFF - PIPES (VAR.330727-334727-330728-331728-332728-330729-331729-334729-330819-331819-334819) |
| 1.80.7 | | 540 POWER TAKEOFF FOR POWER SHUTTLE TRANSMISSION - CLUTCH |
| 1.80.7/01 | | HYDRAULIC PTO - CLUTCH (VAR.330727-334727-330728-331728-330729-331729-334729-330819-334819) |
| 1.80.7/02 | | HYDR. 540/750/1000 RPM POWER TAKE OFF (ISO) - CLUTCH |
| 1.82.0 | | LIFT - COVERS |
| 1.82.0/01 | 01 | HYDRAULIC LIFT FOR POWER SHUTTLE WITH EDC - COVER AND VALVES - W/CAB (VAR.330753-331753-330832) |
| 1.82.0/01 | 02 | HYDR. LIFT FOR POWER SHUTTLE WITH EDC - CYLINDER PRESSURE LIMITING VALVE - W/CAB (VAR.330753-331753-330832) |
| 1.82.0/01A | 01 | HYDRAULIC LIFT FOR POWER SHUTTLE WITH EDC - VALVE - BREAKDOWN - C6083 |
| 1.82.0/01A | 01A | HYDRAULIC LIFT FOR POWER SHUTTLE WITH EDC - VALVE - BREAKDOWN - D6083 |
| 1.82.1 | 01 | LIFT - PIPES & PARTS |
| 1.82.1 | 02 | LIFT - PIPES & PARTS |
| 1.82.1 | 03 | LIFTER, LINES |
| 1.82.1/01 | | 80 L/MIN COMBINED VALVE FOR MID-MOUNT VALVES (VAR.330632-331632-332632) |
| 1.82.1/01A | | PRIORITY VALVE - BREAKDOWN |
| 1.82.1/02 | | AUXILIARY JACK FOR MDC - PIPES (VAR.330783-331783) |
| 1.82.1/03 | | 2 ADDITIONAL JACKS FOR MDC - PIPES, UNIONS AND SUPPORTS (VAR.331784-337784) |
| 1.82.1/04 | | 2 ADDITIONAL JACKS FOR EDC - PIPES, UNIONS AND SUPPORTS (VAR.332784-333784) |
| 1.82.1/05 | | GROUP SIMPLE EFFECT FOR REAR REMOTES - BLOCK AND PIPES (VAR.330102) |
| 1.82.4 | 01 | LIFT CONTROL VALVE - VALVES & PARTS |
| 1.82.4 | 02 | LIFT CONTROL VALVE - VALVES & PARTS |
| 1.82.4 | 03 | LIFT CONTROL VALVE - VALVES & PARTS |
| 1.82.5 | 01 | LIFT - CONTROL PARTS |
| 1.82.5 | 02 | LIFT - CONTROL PARTS |
| 1.82.5 | 03 | LIFT - CONTROL PARTS |
| 1.82.5 | 04 | LIFT - CONTROL PARTS |
| 1.82.6 | | LIFT - CYLINDER & PISTON |
| 1.82.7 | 01 | DOUBLE EFFECT DISTRIBUTOR - CONTROL VALVES & GASKETS |

TABLE OF CONTENTS

| | | |
|------------|----|--|
| 1.82.7 | 02 | SINGLE-DOUBLE EFFECT DISTRIBUTOR - PIPES AND QUICK COUPLINGS |
| 1.82.7/ A | | SIMPLE DOUBLE EFFECT DISTRIBUTOR - CONTROL VALVE BREAKDOWN |
| 1.82.7/01 | 01 | 2 DOUBLE EFFECT DISTRIBUTOR - CONTROL VALVES & GASKETS (VAR.330368) |
| 1.82.7/01 | 02 | 2 DOUBLE EFFECT DISTRIBUTOR - PIPES AND QUICK COUPLINGS (VAR.330368) |
| 1.82.7/02 | 01 | 1 DOUBLE EFFECT AND 1 W/ FLOAT & AUTOM. CUTOUT DISTRIBUTORS - CONTROL VALVES & GASKETS (VAR.330356) |
| 1.82.7/02 | 02 | 1 DOUBLE EFFECT AND 1 W/ FLOAT & AUTOM. CUTOUT DISTRIBUTORS - PIPES AND QUICK COUPLINGS (VAR.330356) |
| 1.82.7/02A | 01 | DOUBLE - ACTING EXTERNAL CONTROL VALVE WITH FLOAT AND AUTOMATIC CUTOUT - BREAKDOWN |
| 1.82.7/02A | 02 | DOUBLE - ACTING EXTERNAL CONTROL VALVE WITH FLOAT AND AUTOMATIC CUTOUT - BREAKDOWN |
| 1.82.7/02A | 03 | DOUBLE - ACTING EXTERNAL CONTROL VALVE WITH FLOAT AND AUTOMATIC CUTOUT - BREAKDOWN |
| 1.82.7/03 | 01 | 2 DOUBLE EFFECT AND 1 W/ FLOAT & AUTOM. CUTOUT DISTRIBUTORS - CONTROL VALVES & GASKETS (VAR.330360) |
| 1.82.7/03 | 02 | 2 DOUBLE EFFECT AND 1 W/ FLOAT & AUTOM. CUTOUT DISTRIBUTORS - PIPES AND QUICK COUPLINGS (VAR.330360) |
| 1.82.7/04 | 01 | 1 S/D, 1W/FLOAT, 1 W/ FLOAT & AUTOM. CUTOUT DISTRIBUTORS - CONTROL VALVES & GASKETS (VAR.330369) |
| 1.82.7/04 | 02 | 1 S/D, 1W/FLOAT, 1 W/ FLOAT & AUTOM. CUTOUT DISTRIBUTORS - PIPES AND QUICK COUPLINGS (VAR.330369) |
| 1.82.7/04A | 01 | DOUBLE EFFECT DISTRIBUTOR WITH FLOAT - BREAKDOWN |
| 1.82.7/04A | 02 | DOUBLE EFFECT DISTRIBUTOR WITH FLOAT - BREAKDOWN |
| 1.82.7/04B | 01 | DOUBLE - ACTING EXTERNAL CONTROL VALVE WITH FLOAT AND AUTOMATIC CUTOUT - BREAKDOWN |
| 1.82.7/04B | 02 | DOUBLE - ACTING EXTERNAL CONTROL VALVE WITH FLOAT AND AUTOMATIC CUTOUT - BREAKDOWN |
| 1.82.7/04B | 03 | DOUBLE - ACTING EXTERNAL CONTROL VALVE WITH FLOAT AND AUTOMATIC CUTOUT - BREAKDOWN |
| 1.82.7/05 | 01 | TWO CONTROL VALVES (BOSCH) - PIPES (VAR.330357) |
| 1.82.7/05 | 02 | TWO CONTROL VALVES (BOSCH) - QUICK COUPLINGS - FLEXIBLE CABLE (VAR.330357) |
| 1.82.7/05 | 03 | TWO CONTROL VALVES (BOSCH) - SUPPORT, PIPES (VAR.330357) |
| 1.82.7/05 | 04 | TWO CONTROL VALVES (BOSCH) - PAN VAR - W/CAB (VAR.330357) |
| 1.82.7/05A | | TWO CONTROL VALVES (BOSCH) - PARTS - C6083 |
| 1.82.7/05B | 01 | DIRECTIONAL CONTROL VALVE (BOSCH) - BREAKDOWN - C6083 |
| 1.82.7/05B | 02 | DIRECTIONAL CONTROL VALVE (BOSCH) - BREAKDOWN - C6083 |
| 1.82.7/05C | 01 | DIRECTIONAL CONTROL VALVE (BOSCH) - BREAKDOWN - C6083 |
| 1.82.7/05C | 02 | DIRECTIONAL CONTROL VALVE (BOSCH) - BREAKDOWN - C6083 |
| 1.82.7/05D | | TWO CONTROL VALVES (BOSCH) - PARTS - D6083 |
| 1.82.7/05E | | DIRECTIONAL CONTROL VALVE (BOSCH) - BREAKDOWN - D6083 |
| 1.82.7/05F | 01 | DIRECTIONAL CONTROL VALVE (BOSCH) - BREAKDOWN - D6083 |
| 1.82.7/05F | 02 | DIRECTIONAL CONTROL VALVE (BOSCH) - BREAKDOWN - D6083 |
| 1.82.7/06 | 01 | THREE CONTROL VALVES (BOSCH) - PIPES & CONTROL VALVES (VAR.330358) |
| 1.82.7/06 | 02 | THREE CONTROL VALVES (BOSCH) - QUICK COUPLINGS - FLEXIBLE CABLE (VAR.330358) |
| 1.82.7/06 | 03 | THREE CONTROL VALVES (BOSCH) - PIPES & CONTROL VALVES (VAR.330358) |

TABLE OF CONTENTS

| | | |
|------------|-----|--|
| 1.82.7/06 | 04 | THREE CONTROL VALVES (BOSCH) - PAN VAR (VAR.330358) |
| 1.82.7/06A | | THREE CONTROL VALVES (BOSCH) - PARTS - C6083 |
| 1.82.7/06B | | THREE CONTROL VALVES (BOSCH) - PARTS - D6083 |
| 1.82.7/07 | | HYDRAULIC LIFT FOR POWER SHUTTLE WITH MDC - PIPES (VAR.330629-331300) |
| 1.82.7/08 | | FITTING FOR LOADER (ISO) - PIPES AND QUICK COUPLINGS (VAR.330489-330490) |
| 1.82.7/09 | 01 | TRAILER BRAKE VALVE FOR OPEN CENTER L/MID MOUNT VALVES - PIPES AND SUPPORT (VAR.330370) |
| 1.82.7/09 | 02 | TRAILER BRAKE VALVE FOR OPEN CENTER L/MID MOUNT VALVES - PIPES AND VALVE (VAR.330370) |
| 1.82.7/09A | | TRAILER BRAKE VALVE - VALVE AND PARTS |
| 1.82.7/10 | | TRAILER BRAKE VALVE FOR CLOSED CENTER L/MID MOUNT VALVES - PIPES AND VALVE (VAR.331370) |
| 1.82.7/11 | 01 | TRAILER BRAKE VALVE (ITALY) FOR OPEN CENTER L/MID MOUNT VALVES - PIPES, VALVE AND SUPP. (VAR.330412) |
| 1.82.7/11 | 02 | TRAILER BRAKE VALVE (ITALY) FOR OPEN CENTER L/MID MOUNT VALVES - SOLENOID VALVES, PIPES (VAR.330412) |
| 1.82.7/12 | 01 | TRAILER BRAKE VALVE (ITALY) FOR CLOSED CENTER L/MID MOUNT VALVES - PIPES, VALVE (VAR.331412-332412) |
| 1.82.7/12 | 02 | TRAILER BRAKE VALVE (ITALY) FOR CLOSED CENTER L/MID MOUNT VALVES - BLOCK (VAR.331412-332412) |
| 1.82.7/13 | 01 | TRAILER BRAKE VALVE FOR OPEN CENTER W/MID MOUNT VALVES - PIPES AND SUPPORT (VAR.334412) |
| 1.82.7/13 | 02 | TRAILER BRAKE VALVE FOR OPEN CENTER W/MID MOUNT VALVES - PIPES AND VALVE (VAR.334412) |
| 1.82.7/14 | 01 | TRAILER BRAKE VALVE (ITALY) FOR OPEN CENTER W/MID MOUNT VALVES - PIPES AND SUPPORT (VAR.333412) |
| 1.82.7/14 | 02 | TRAILER BRAKE VALVE (ITALY) FOR OPEN CENTER W/MID MOUNT VALVES - PIPES AND VALVE (VAR.333412) |
| 1.82.7/15 | | TRAILER BRAKE VALVE BOSCH - PARTS (VAR.334370) |
| 1.82.7/16 | 01 | TWO MID-MOUNT VALVES FOR REAR "BOSCH" CONTROL VALVES (VAR.330386-333386) - C7237 |
| 1.82.7/16 | 01A | TWO MID-MOUNT VALVES FOR REAR "BOSCH" CONTROL VALVES (VAR.330386-333386) - D7237 |
| 1.82.7/16 | 02 | TWO MID-MOUNT VALVES FOR REAR "BOSCH" CONTROL VALVES - PIPES (VAR.330386-333386-331377) |
| 1.82.7/16A | | TWO MID-MOUNT VALVES FOR REAR CONTROL VALVES - VALVE - BREAKDOWN |
| 1.82.7/17 | 01 | TWO MID-MOUNT VALVES FOR REAR CONTROL VALVES (VAR.330186-333186) - C7237 |
| 1.82.7/17 | 01A | TWO MID-MOUNT VALVES FOR REAR CONTROL VALVES (VAR.330186-333186) - D7237 |
| 1.82.7/17 | 02 | TWO MID-MOUNT VALVES FOR REAR CONTROL VALVES - PIPES (VAR.330186-333186-330377) |
| 1.82.8 | | LIFT - LIFT ARMS & SUPPORT |
| 1.82.8/01 | | ELECTRONIC LIFTING W/EDC - PIPES, ARMS |
| 1.82.8/01A | | ADDITIONAL JACK - BREAKDOWN |
| 1.83.0 | 01 | HOODS - C6487 |
| 1.83.0 | 01A | HOODS - D6487 |
| 1.83.0 | 02 | HOODS |
| 1.83.0 | 03 | HOODS - C6487 |
| 1.83.0 | 03A | HOODS - D6487 |
| 1.83.0 | 04 | HOODS |

TABLE OF CONTENTS

| | | |
|------------|-----|--|
| 1.87.0 | 01 | PLATFORM & REAR FENDERS - L/CAB |
| 1.87.0 | 02 | LADDER AND SUPPORTS - W/CAB |
| 1.87.0 | 03 | LADDER AND SUPPORTS - L/CAB |
| 1.87.0/01 | | FOLDABLE ROPS WITH NOISE REDUCTION PACKAGE - L/CAB (VAR.337101-338101) |
| 1.87.0/02 | 01 | FITTING FOR LOADER - LADDER AND SUPPORTS - W/CAB (VAR.330489-330490-330491-331491) |
| 1.87.0/02 | 02 | FITTING FOR LOADER NA - LADDER AND SUPPORTS - L/CAB (VAR.330491-331491) |
| 1.87.0/03 | | ADJUSTABLE FRONT FENDERS (VAR.330495) |
| 1.87.0/04 | | DYNAMIC FRONT FENDERS (VAR.331486-333486) |
| 1.87.0/04A | | DYNAMIC FRONT FENDERS - SUPPORTS - BREAKDOWN |
| 1.87.1 | | MUDGUARD EXTENSIONS - L/CAB |
| 1.87.1/01 | | FOLDABLE ROPS - MATTING & GUARDS - L/CAB (VAR.337101-338101-330861-333874) |
| 1.87.7 | | FOLDABLE ROPS - FRAME & FASTENERS - L/CAB (VAR.337101-338101-330861-333874) |
| 1.87.7/01 | | CANOPY FOR FOLDABLE ROPS - CANOPY & SUPPORTS - L/CAB (VAR.330857) |
| 1.92.5 | 01 | REAR FENDERS - W/CAB - C6797 |
| 1.92.5 | 01A | REAR FENDERS - W/CAB - D6797 |
| 1.92.5/01 | | EXTENSIONS FOR WIDE REAR FENDERS - W/CAB (VAR.330877) |
| 1.89.3 | | TOW HOOK AND SUPPORT - CATEGORY C (VAR.330891) |
| 1.89.3/01 | | SUPPORT AND DRAWBAR TOW HOOK (VAR.330906) |
| 1.89.3/02 | | HOOK FOR SEMI-TRAILER (VAR.330893) |
| 1.89.3/02A | | TOW HOOK - BREAKDOWN |
| 1.89.3/03 | | SWAY-BAR (NA) (VAR.330905) |
| 1.89.3/04 | | SWAY-BAR (ISO) (VAR.330912) |
| 1.89.3/05 | 01 | ROTARY HITCH SUPPORT (FRANCE) ON PITON SKIDS - C6860 (VAR.330887) |
| 1.89.3/05 | 01A | ROTARY HITCH SUPPORT (FRANCE) ON PITON SKIDS - D6860 (VAR.330887) |
| 1.89.3/06 | 01 | TOW HOOK AND SUPPORT (GERMANY) - C6860 (VAR.330897) |
| 1.89.3/06 | 01A | TOW HOOK AND SUPPORT (GERMANY) - D6860 (VAR.330897) |
| 1.89.3/07 | 01 | AUTOMATIC TRAILER HITCH (GERMANY) - W/CAB - C6860 (VAR.330889) |
| 1.89.3/07 | 01A | AUTOMATIC TRAILER HITCH (GERMANY) - W/CAB - D6860 (VAR.330889) |
| 1.89.3/07A | | TOW HOOK 32MM - BREAKDOWN |
| 1.89.3/08 | 01 | CATEGORY C TRAILER HITCH - C6860 (VAR.330928) |
| 1.89.3/08 | 01A | CATEGORY C TRAILER HITCH - D6860 (VAR.330928) |
| 1.89.3/09 | 01 | TOW HOOK AND DRAWBAR (PICK-UP) - MIRRORS & FLEXIBLE CABLE - W/CAB (VAR.330935) |
| 1.89.3/09 | 02 | TOW HOOK AND BAR (PICK-UP) - PARTS - W/CAB (VAR.330935) |
| 1.89.3/09 | 03 | TOW HOOK AND BAR (PICK-UP) - ARMS, BRACKETS, SUPPORTS - W/CAB (VAR.330935) |
| 1.89.3/09 | 04 | TOW HOOK AND BAR (PICK-UP) - PIN , ARMS, BRACKETS, SUPPORTS - W/CAB (VAR.330935) |
| 1.89.3/10 | | TOW HOOK CAT. D2 (VAR.330932) |

TABLE OF CONTENTS

| | | |
|------------|-----|---|
| 1.89.3/11 | | LINKAGE DRAWBAR CAT."2" (VAR.330899) |
| 1.89.3/12 | | DRAWBAR FOR SLIDING SUPPORT (FRANCE) (VAR.330677) |
| 1.89.3/13 | | SWAY-BAR (33MM) - PARTS (GERMANY) (VAR.331677) |
| 1.89.3/14 | | SWAY-BAR (29MM) - PARTS (GERMANY) (VAR.332677) |
| 1.89.3/15 | | SUPPORT FOR TRAILER BRAKE CONTROL LEVER (VAR.330895) |
| 1.89.3/16 | | PULL HOOK (VAR.330892) |
| 1.89.6 | 01 | IMPLEMENT CARRIER - ARMS AND TOP LINK |
| 1.89.6 | 02 | IMPLEMENT CARRIER - TIE-ROD |
| 1.89.6 | 03 | IMPLEMENT CARRIER - SUPPORT & STABILIZER BAR |
| 1.89.6 | 04 | IMPLEMENT CARRIER - SUPPORT & STABILIZER BAR |
| 1.89.6 | 05 | IMPLEMENT CARRIER - LEVER |
| 1.89.6/ A | | IMPLEMENT CARRIER - TIE-ROD - BREAKDOWN |
| 1.89.6/ B | | IMPLEMENT CARRIER - TIE-ROD - BREAKDOWN |
| 1.89.6/01 | | 3 POINT LINKAGE WITH CAT.2 FLEXIBLE ENDS FOR MDC (VAR.330902) |
| 1.89.6/01A | | 3 POINT LINKAGE WITH CAT.2 FLEXIBLE ENDS FOR MDC - ARM - BREAKDOWN |
| 1.89.6/01B | | 3 POINT LINKAGE WITH CAT.2 FLEXIBLE ENDS FOR MDC - ARM - BREAKDOWN |
| 1.89.6/02 | 01 | "WALTERSCHEID" THREE POINT HITCH WITH QUICK ATTACH ENDS FOR MDC (VAR.330922) |
| 1.89.6/02 | 02 | "C.B.M." THREE POINT HITCH WITH QUICK ATTACH ENDS FOR MDC (VAR.330922) |
| 1.89.6/02 | 03 | "ARIES" THREE POINT HITCH WITH QUICK ATTACH ENDS FOR MDC (VAR.330922) |
| 1.89.6/02A | | THREE POINT HITCH WITH QUICK ATTACH ENDS FOR MDC - UPPER LINK - BREAKDOWN |
| 1.89.6/02B | | THREE POINT HITCH WITH QUICK ATTACH ENDS FOR MDC - "WALTERSCHEID" QUICK ATTACH END - BREAKDOWN |
| 1.89.6/02C | | THREE POINT HITCH WITH QUICK ATTACH ENDS FOR MDC - "C.B.M." QUICK ATTACH END - BREAKDOWN |
| 1.89.6/02D | 01 | THREE POINT HITCH WITH QUICK ATTACH ENDS FOR MDC - "ARIES" QUICK ATTACH END - BREAKDOWN - C6907 |
| 1.89.6/02D | 01A | THREE POINT HITCH WITH QUICK ATTACH ENDS FOR MDC - "ARIES" QUICK ATTACH END - BREAKDOWN - D6907 |
| 1.89.6/02E | | THREE POINT HITCH WITH QUICK ATTACH ENDS FOR MDC - UPPER LINK - BREAKDOWN |
| 1.89.6/03 | 01 | "WALTERSCHEID" THREE POINT HITCH WITH QUICK ATTACH ENDS FOR EDC - W/CAB (VAR.331922) |
| 1.89.6/03 | 02 | "C.B.M." THREE POINT HITCH WITH QUICK ATTACH ENDS FOR EDC - W/CAB (VAR.331922) |
| 1.89.6/03 | 03 | THREE POINT HITCH FOR EDC - TOOLING CONNECTION UNIT - W/CAB (VAR.331902) |
| 1.89.6/03 | 04 | THREE POINT HITCH FOR EDC - TOOLING CONNECTION UNIT - W/CAB (VAR.331922) |
| 1.89.6/03 | 05 | "ARIES" THREE POINT HITCH WITH QUICK ATTACH ENDS FOR EDC - W/CAB (VAR.331922) |
| 1.89.6/04 | | 3 POINT LINKAGE WITH CAT.2 FLEXIBLE ENDS FOR EDC - W/CAB (VAR.331902) |
| 1.89.6/04A | | 3 POINT LINKAGE WITH CAT.2 FLEXIBLE ENDS FOR EDC - TELESCOPIC ARM - BREAKDOWN |
| 1.89.6/04B | | 3 POINT LINKAGE WITH CAT.2 FLEXIBLE ENDS FOR EDC - TELESCOPIC ARM - BREAKDOWN |
| 1.89.9 | | SUPPORT & STABILIZER SPRAG |
| 1.89.9/01 | | THREE POINT HITCH FOR EDC - SUPPORT & STABILIZER SPRAG - W/CAB (VAR.331902) |

**Thanks very much for your reading,
Want to get more information,
Please click here, Then get the complete
manual**

JustClickHere 

NOTE:

**If there is no response to click on the link above,
please download the PDF document first, and then
click on it.**

**Have any questions please write to me:
admin@servicemanualperfect.com**